

US00D663778S

(12) **United States Design Patent**  
**Fung et al.**

(10) **Patent No.:** **US D663,778 S**  
(45) **Date of Patent:** **\*\* Jul. 17, 2012**

(54) **TAB**

(75) Inventors: **Simon S. Fung**, Woodbury, MN (US);  
**Sharon N. Buechler-Kelemen**,  
Woodbury, MN (US); **Mary L. Glennon**,  
Woodbury, MN (US)

(73) Assignee: **3M Innovative Properties Company**,  
Saint Paul, MN (US)

(\*\*) Term: **14 Years**

(21) Appl. No.: **29/391,744**

(22) Filed: **May 12, 2011**

(51) **LOC (9) Cl.** ..... **19-99**

(52) **U.S. Cl.** ..... **D19/99; D19/69**

(58) **Field of Classification Search** ..... D5/5, 16,  
D5/32; D19/65, 69, 99, 100; 40/299.01,  
40/641, 638; 427/208; 428/40.1  
See application file for complete search history.

(56) **References Cited**

U.S. PATENT DOCUMENTS

D80,951 S \* 4/1930 Hobbs ..... D20/26  
D113,596 S \* 2/1939 Lawson ..... D6/600  
D124,367 S \* 12/1940 Schwartzberg ..... D5/32

D137,405 S \* 3/1944 Burton ..... D5/16  
5,645,300 A \* 7/1997 Hill ..... 283/81  
5,989,667 A \* 11/1999 Tayebi ..... 428/40.1  
D474,612 S \* 5/2003 Wessblad et al. .... D5/32  
6,883,430 B2 \* 4/2005 Hollander ..... 101/483  
D645,777 S \* 9/2011 Gladden ..... D11/81  
2007/0120018 A1 \* 5/2007 Katzman ..... 244/153 R

\* cited by examiner

*Primary Examiner* — Elizabeth Albert

(74) *Attorney, Agent, or Firm* — Trisha D. Adamson

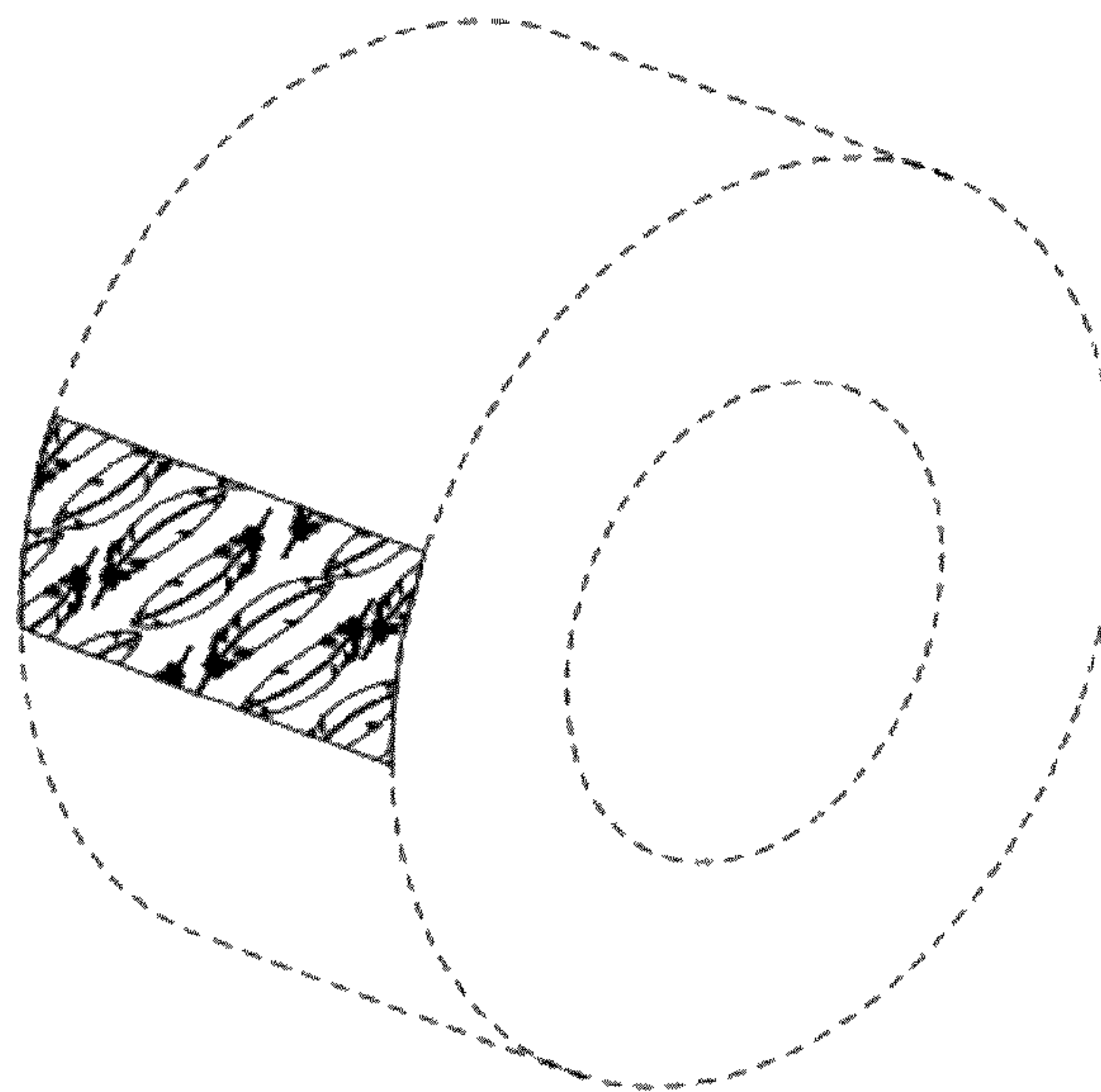
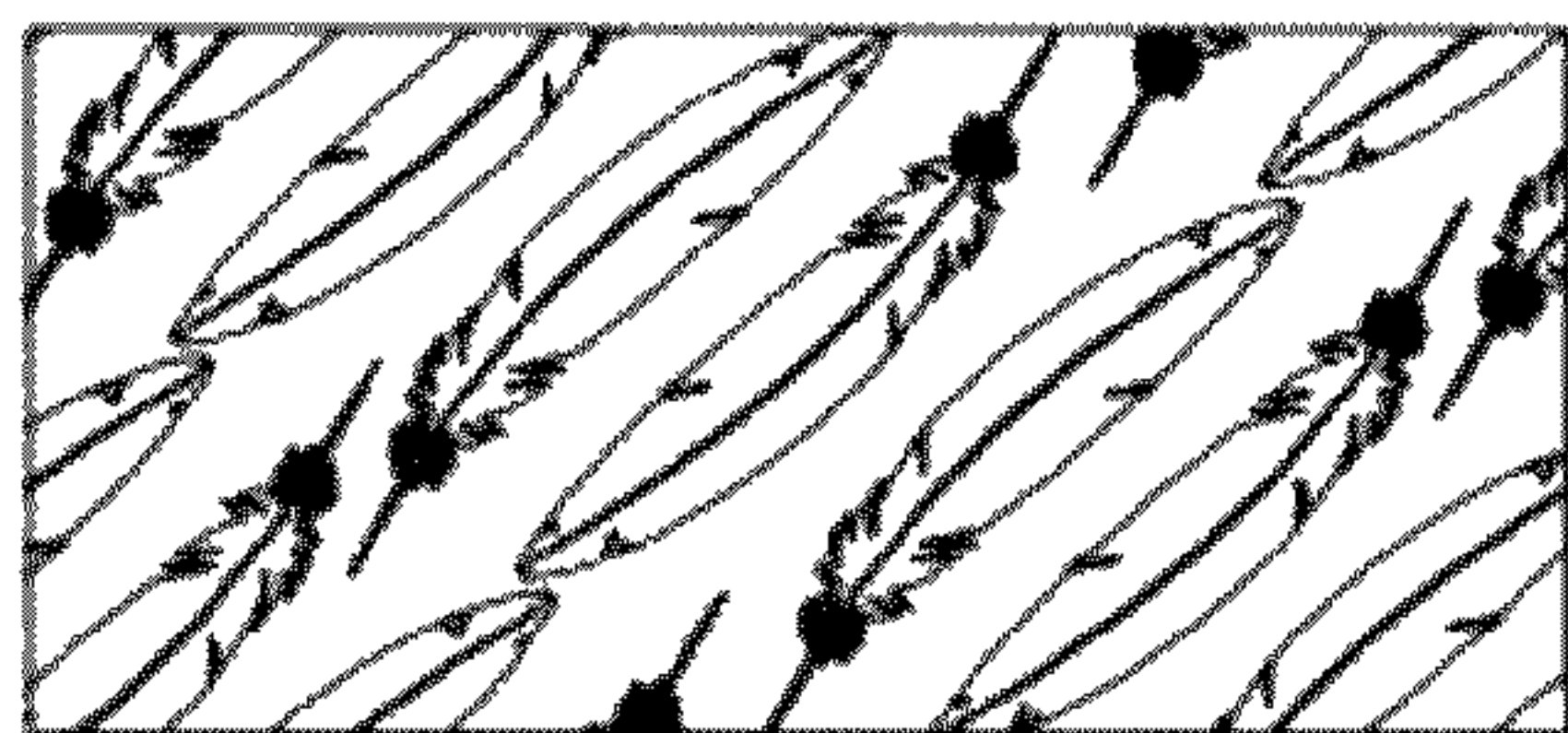
(57) **CLAIM**

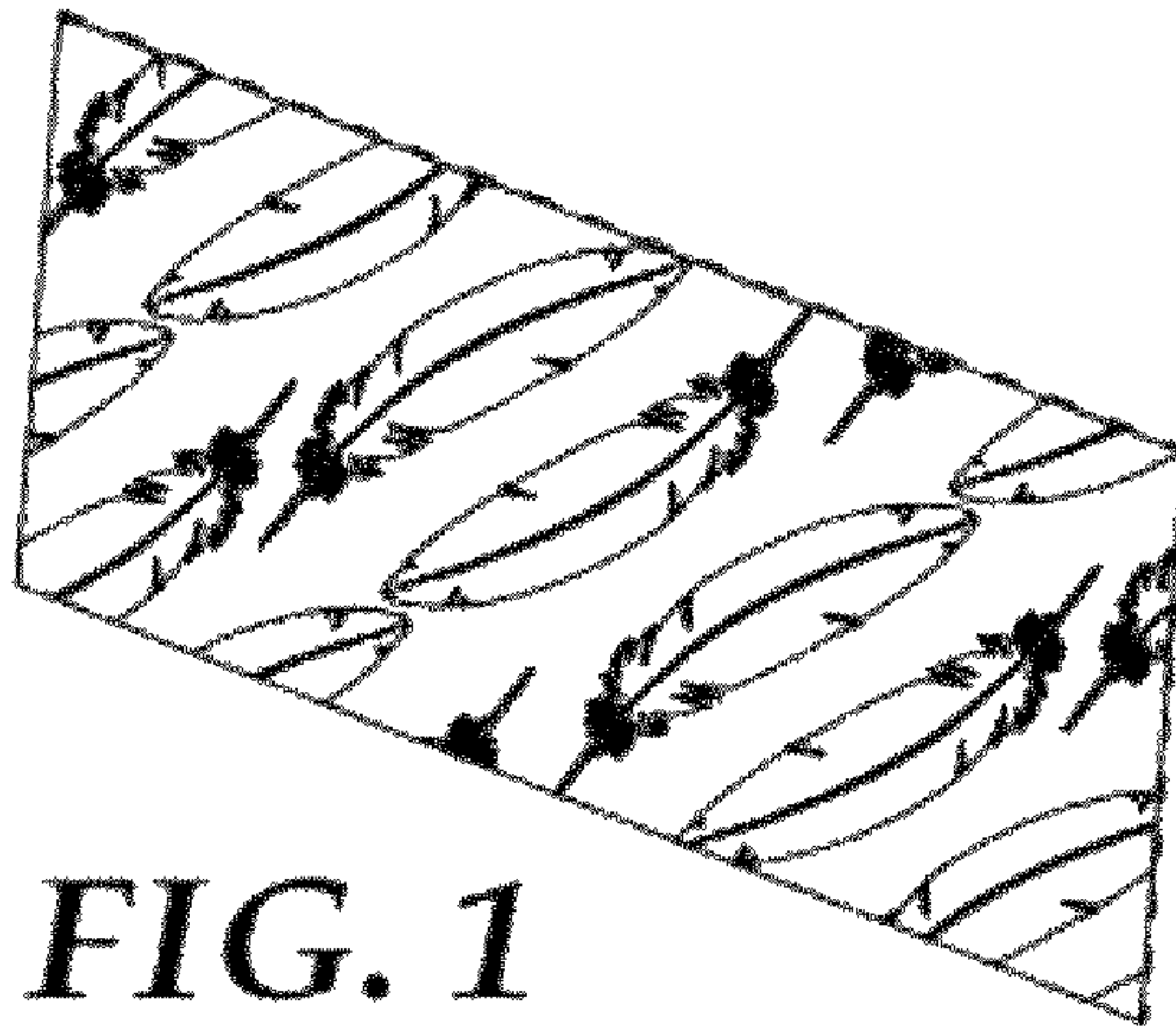
The ornamental design for a tab, as shown and described.

**DESCRIPTION**

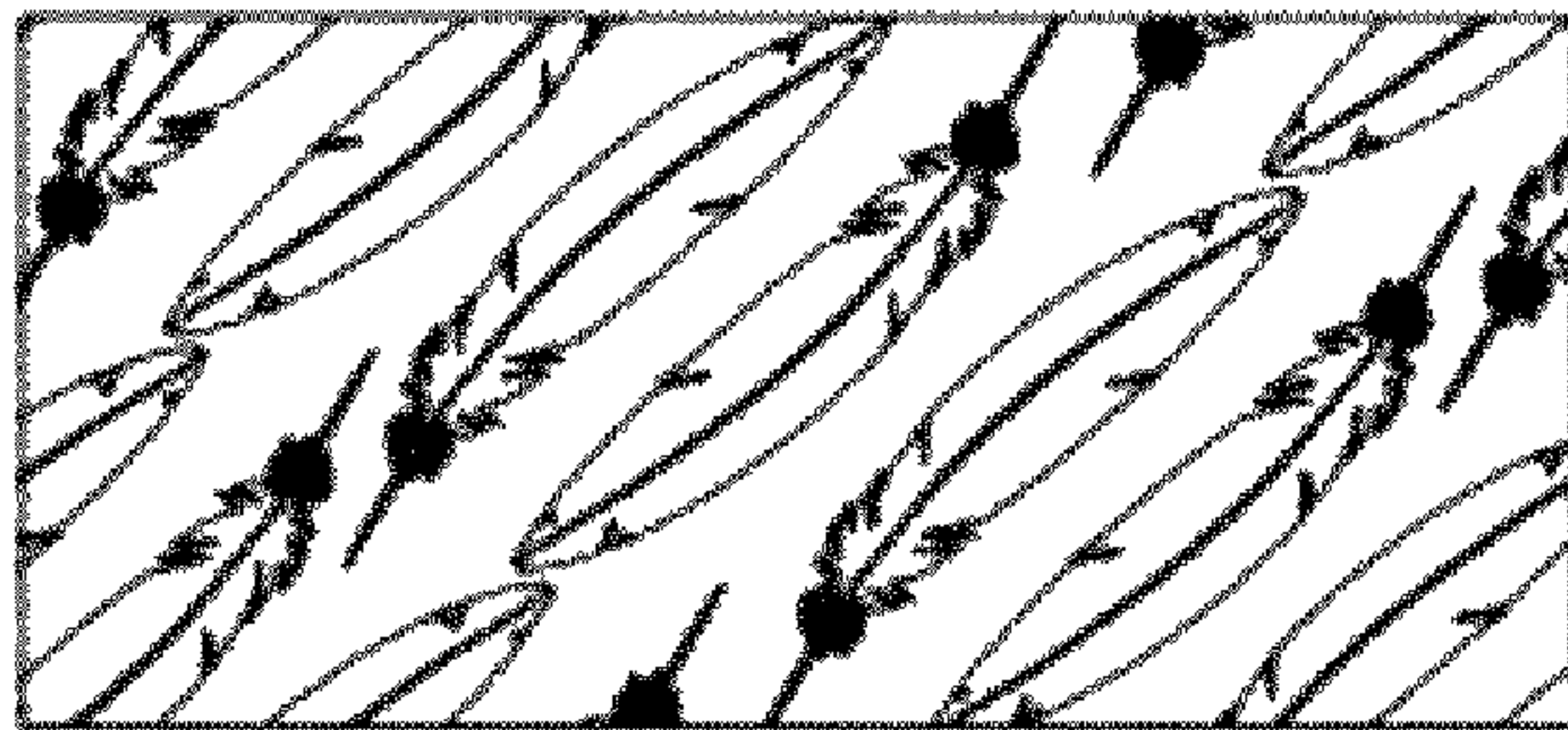
FIG. 1 is a perspective view the new design for a tab;  
FIG. 2 is a front view thereof;  
FIG. 3 is a rear view thereof;  
FIG. 4 is a right side view thereof, the left side being a mirror  
image thereof;  
FIG. 5 is a top view thereof, the bottom view being a mirror  
image thereof; and,  
FIG. 6 is a perspective view showing the new design for a tab  
as applied to the leading edge of a roll of tape.  
The broken lines in FIGS. 3-6 are included to show a portion  
of the tape that forms no part of the claimed design.

**1 Claim, 2 Drawing Sheets**

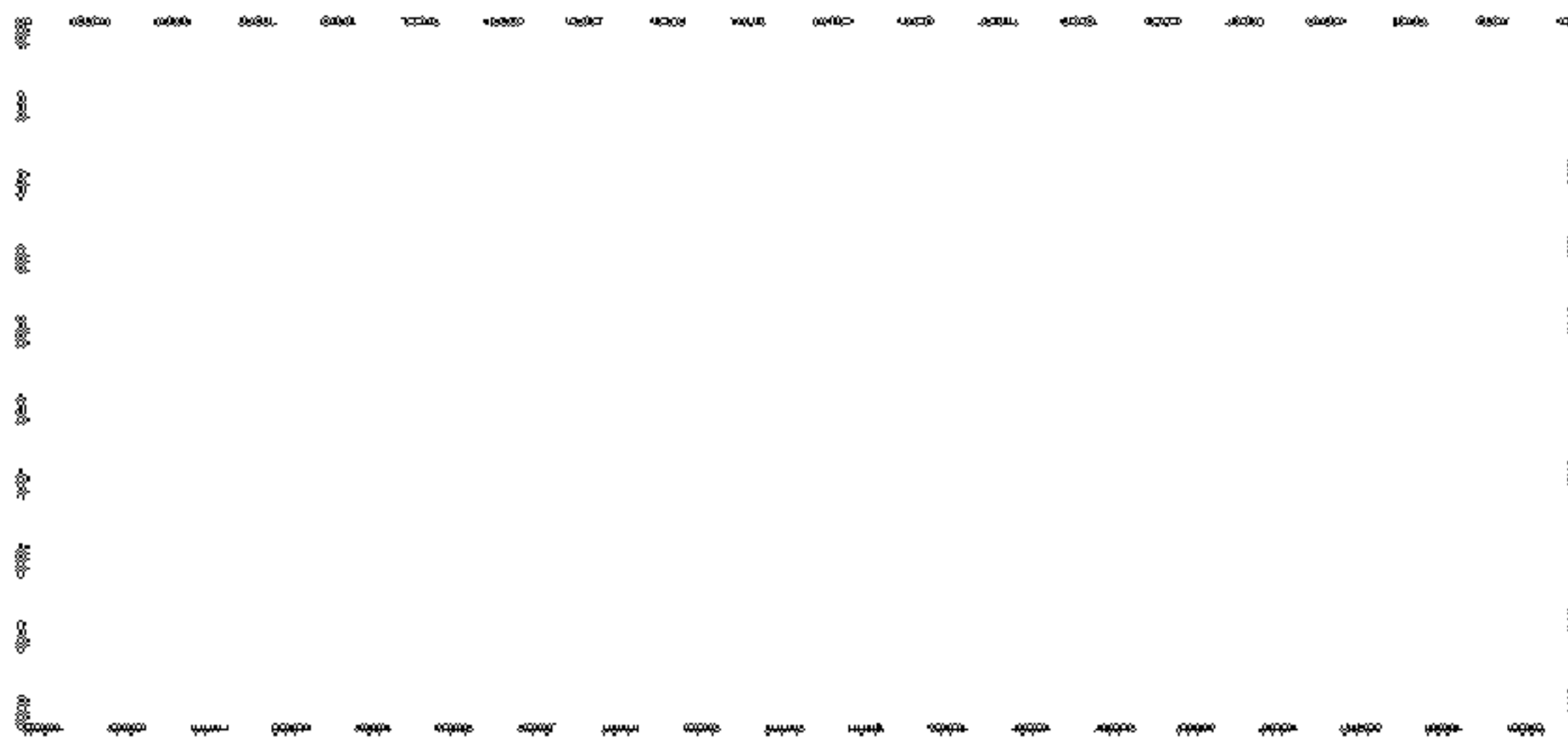




**FIG. 1**



**FIG. 2**



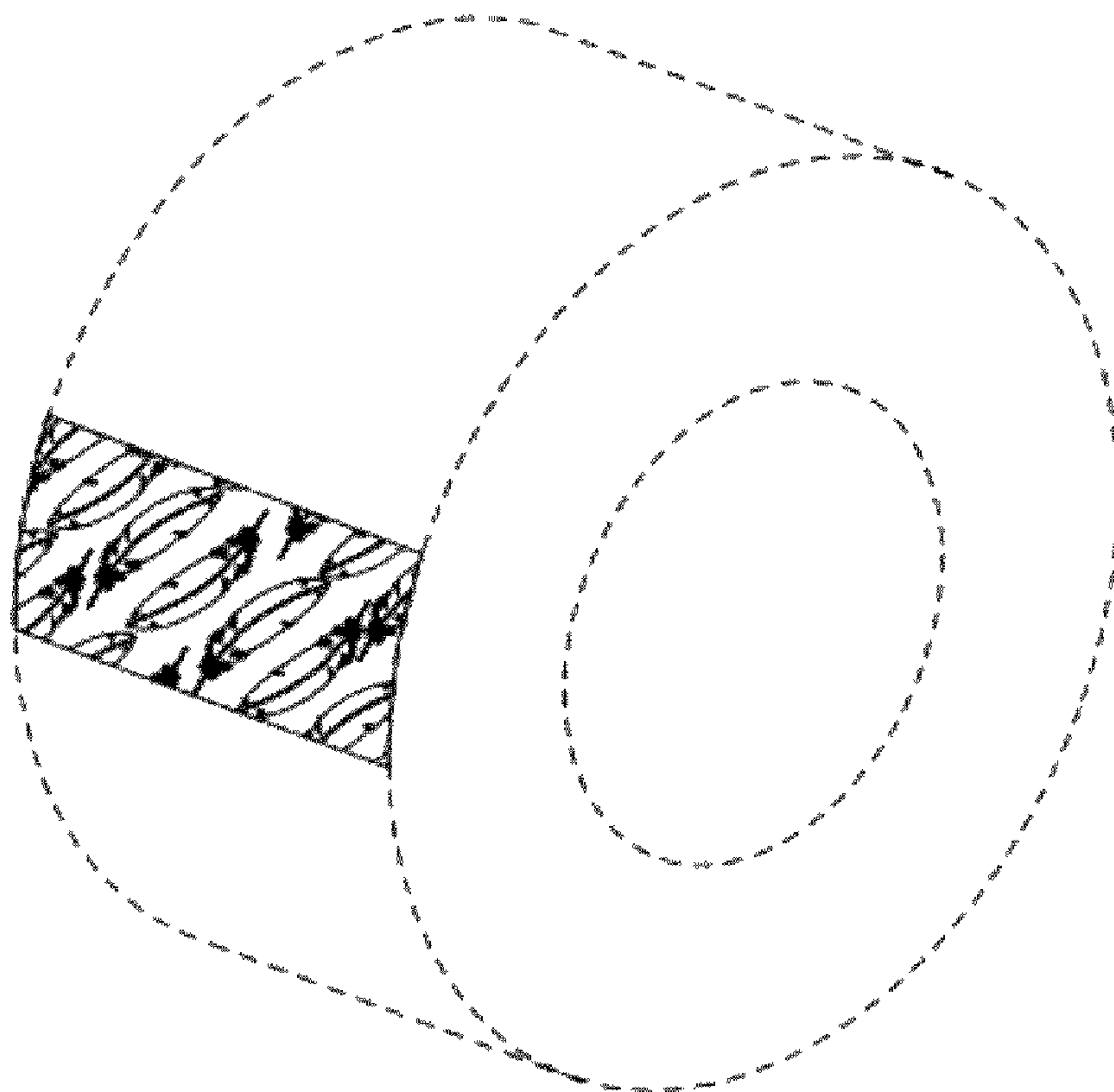
**FIG. 3**



**FIG. 4**



**FIG. 5**



**FIG. 6**